



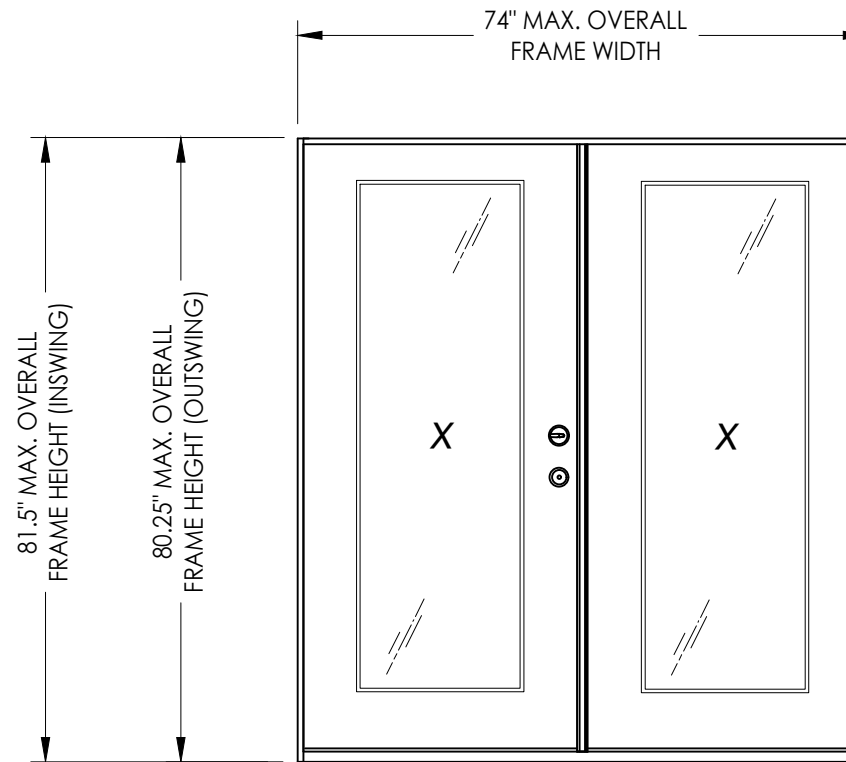
# FLUSH GLAZED FIBERGLASS ENTRY DOOR DOUBLE

## INSWING/OUTSWING "NON-IMPACT"

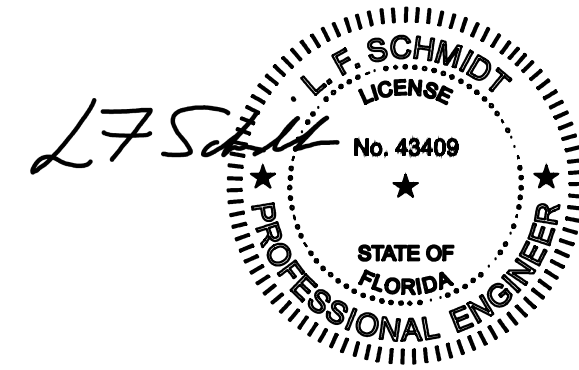
### GENERAL NOTES

1. This product has been evaluated and is in compliance with the 8th Edition (2023) Florida Building Code (FBC) structural requirements excluding the "High Velocity Hurricane Zone" (HVHZ).
2. Product anchors shall be as listed and spaced as shown on details. Anchor embedment to base material shall be beyond wall dressing or stucco.
3. When used in areas requiring wind borne debris protection, this product is required to be protected with an impact resistant covering that complies with FBC Sections 1609.1.2 & R301.2.1.2.
4. For 2x stud framing construction, anchoring of these units shall be the same as that shown for 2x buck masonry construction.
5. Site conditions that deviate from the details of this drawing require further engineering analysis by a licensed engineer or registered architect.

TABLE OF CONTENTS	
SHEET #	DESCRIPTION
1	Typical Elevations, Design Pressures & General Notes
2	Door Panel Details & Glazing Details
3	Door Panel Details & Glazing Details
4	Door Panel Details & Glazing Details
5	Elevation
6	Horizontal & Vertical Cross Sections (2X Buck)
7	Horizontal & Vertical Cross Sections (1X Buck)
8	Horizontal & Vertical Cross Sections (Direct to Masonry)
9	Vertical Cross Sections
10	Buck & Frame Anchoring & Hardware Details
11	Bill of Materials & Components



CONFIGURATION	MAX. FRAME DIMENSION	DESIGN PRESSURE (PSF) INSWING		DESIGN PRESSURE (PSF) OUTSWING	
		POSITIVE	NEGATIVE	POSITIVE	NEGATIVE
XX	74.0" x 81.5"	+45.0	-45.0	+50.0	-50.0



This item has been digitally signed and sealed by L. F. Schmidt, P.E. on the date adjacent to the seal. Printed copies of this document are not considered signed and sealed and the signature must be verified on any electronic copies.

THIS PRODUCT APPROVAL IS VALID ONLY FOR THE STATE OF FLORIDA

Documents Prepared By:  
Lyndon F. Schmidt  
P.E. No. 43409

BUILDING CONSULTANTS, INC.  
P.O. Box 230, Valrico, FL 33595  
Phone No.: 813.659.9197  
FBPE Registry No. 9813

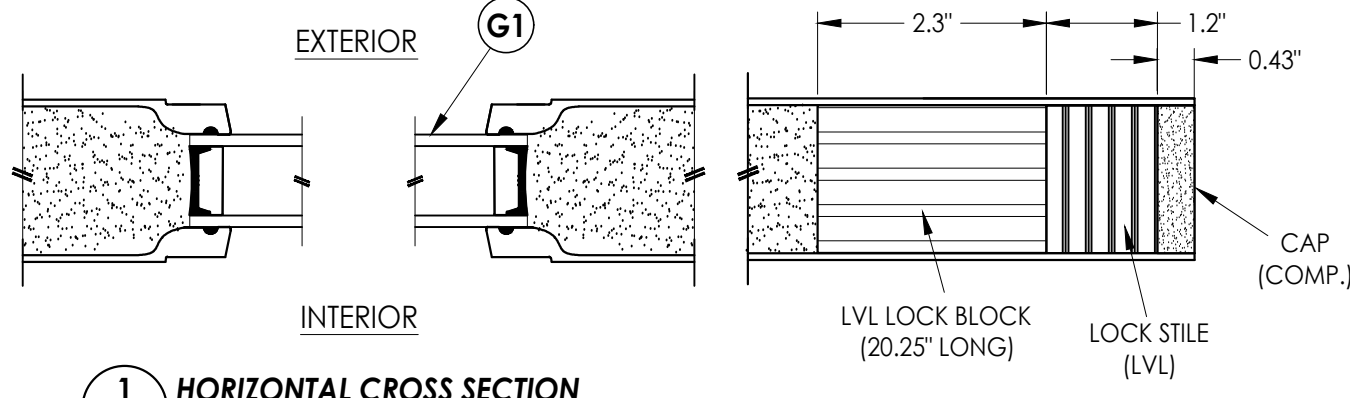
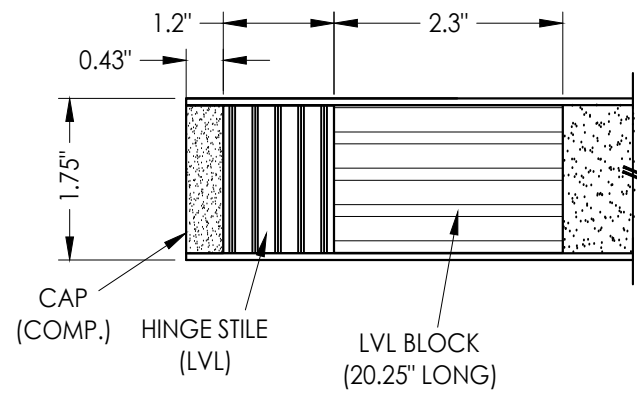
RW

PRODUCT: DOORSCAPES FIBERGLASS DOOR  
PART OR ASSEMBLY: TYPICAL ELEVATION, DESIGN PRESSURES & GENERAL NOTES

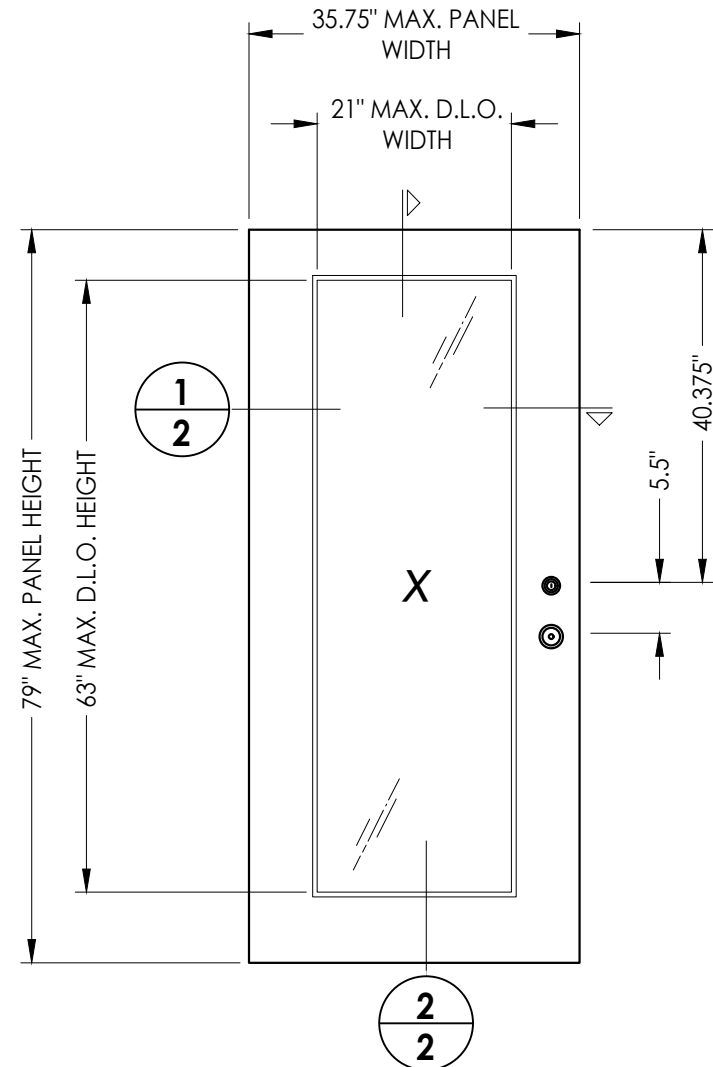
NO.	DATE	BY	REVISIONS

DATE: 2/22/24  
SCALE: N.T.S.  
DWG. BY: LFS  
CHK. BY: RW  
DRAWING NO.: FL-46553.3  
SHEET 1 OF 11

Z:\2023 FBC Drawings\DoorScapes, Inc\FL-46553 FG Flush Glased Door\FL46553.3.dwg

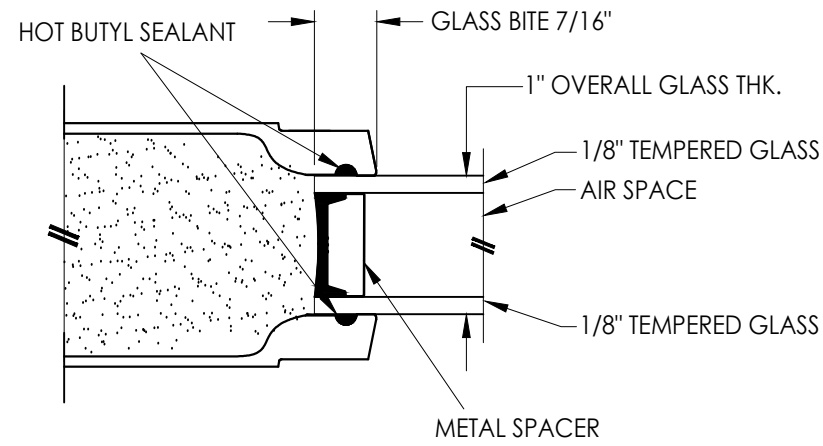


**1**  
**2** **HORIZONTAL CROSS SECTION**

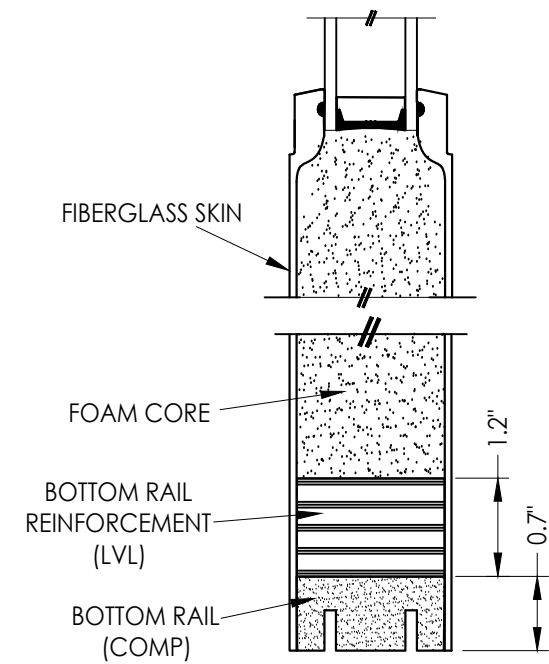
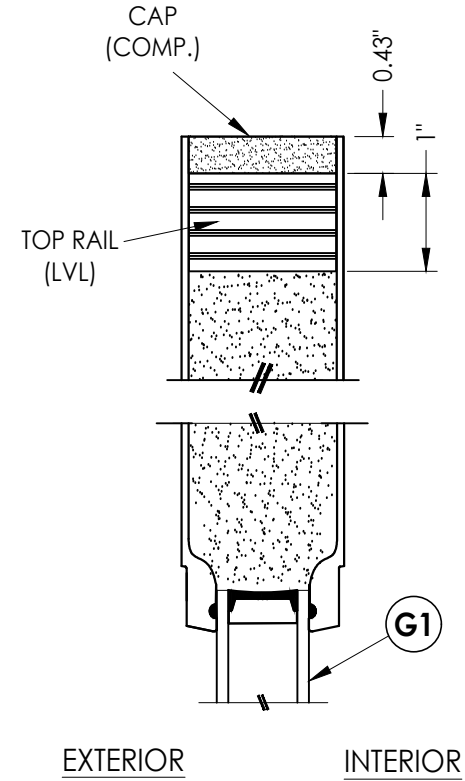


**40** **FIBERGLASS DOOR PANEL**  
DoorScapes

FIBERGLASS SKIN: 0.070" MIN. THK.  
FOAM CORE: POLYURETHANE -1.9 PCF MIN.



**G1** **GLAZING DETAIL**  
FLUSH GLAZED (CLEAR)



**2**  
**2** **VERTICAL CROSS SECTION**

Documents Prepared By:  
Lyndon F. Schmidt  
P.E. No. 43409

**RW** BUILDING CONSULTANTS, INC.  
P.O. Box 230, Valrico, FL 33595  
Phone No.: 813.659.9197  
FBPE Registry No. 9813

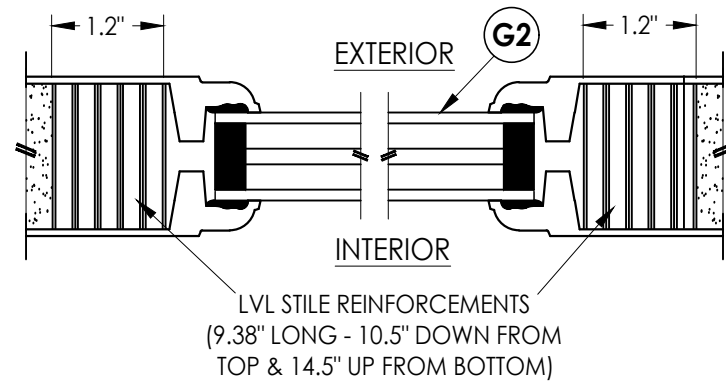
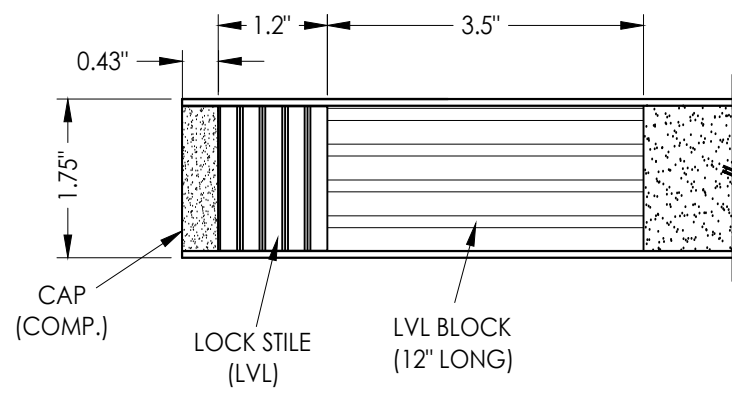
PRODUCT: DOORSCAPES  
FIBERGLASS DOOR

PART OR ASSEMBLY:  
DOOR PANEL DETAILS &  
GLAZING DETAILS

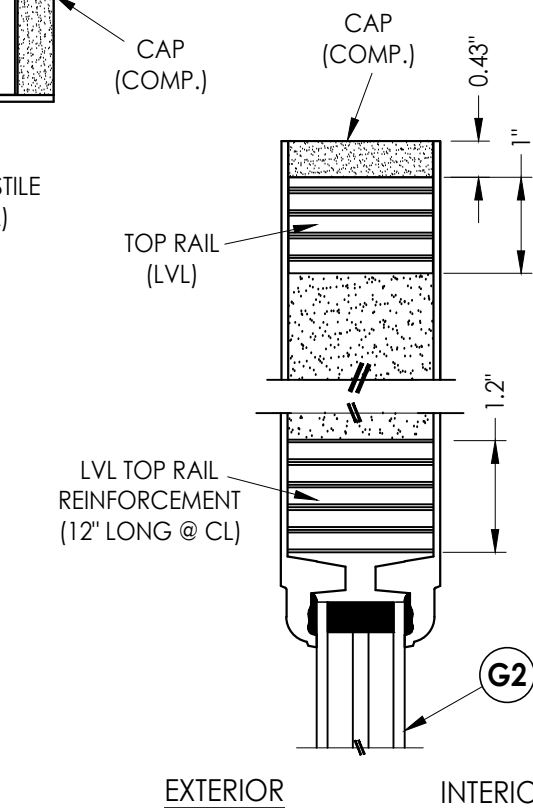
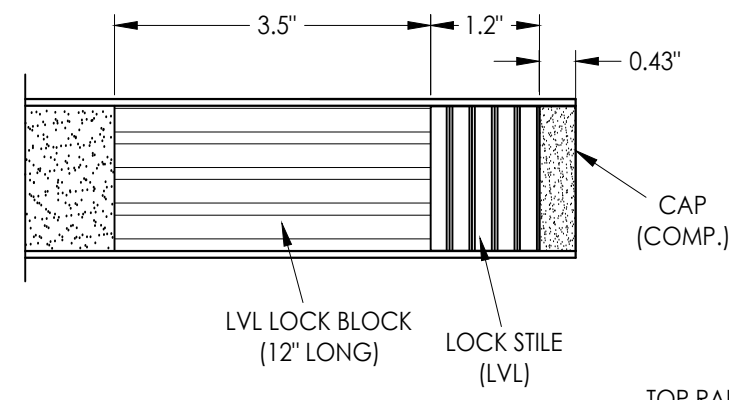
NO.	DATE	BY

DATE: 2/22/24  
SCALE: N.T.S.  
DWG. BY: LFS  
CHK. BY: RW  
DRAWING NO.: FL-46553.3  
SHEET 2 OF 11

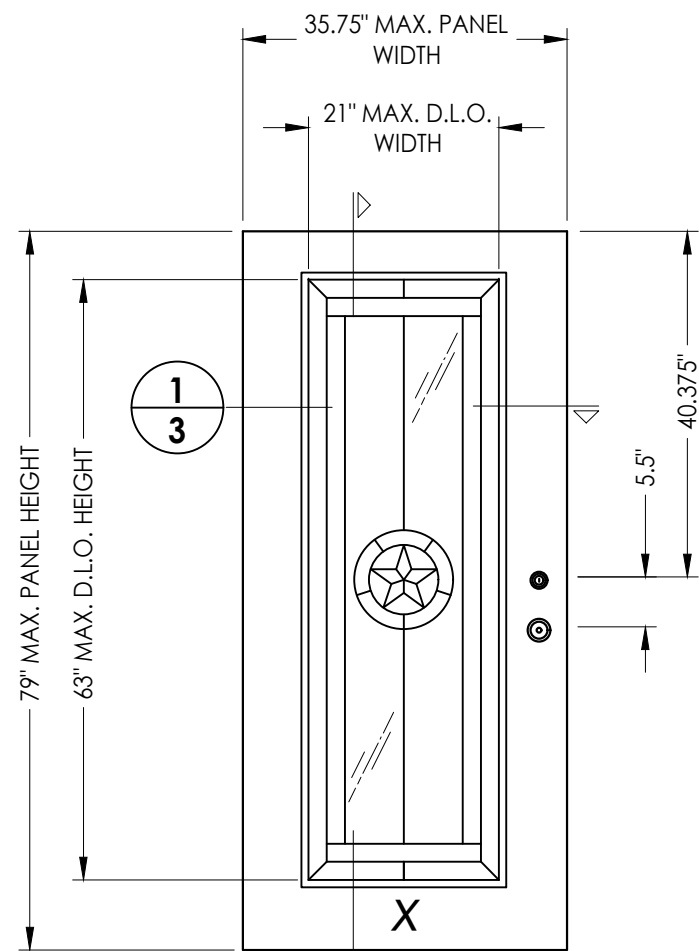
© 2024 R.W. BUILDING CONSULTANTS INC.



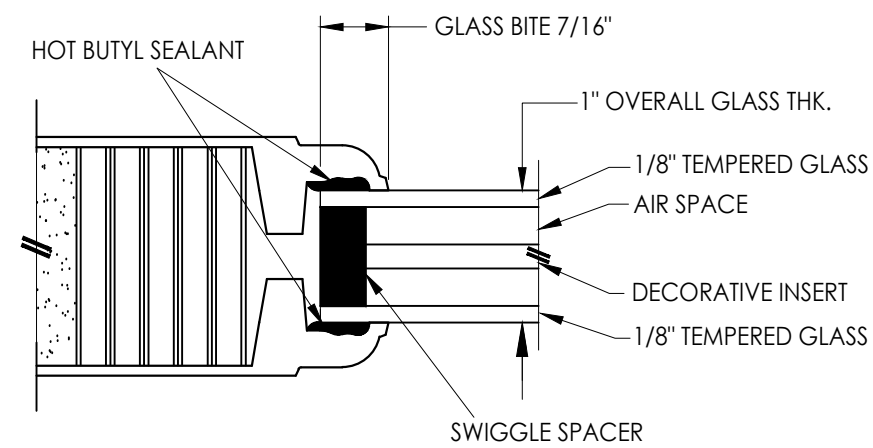
**1**  
**3** **HORIZONTAL CROSS SECTION**



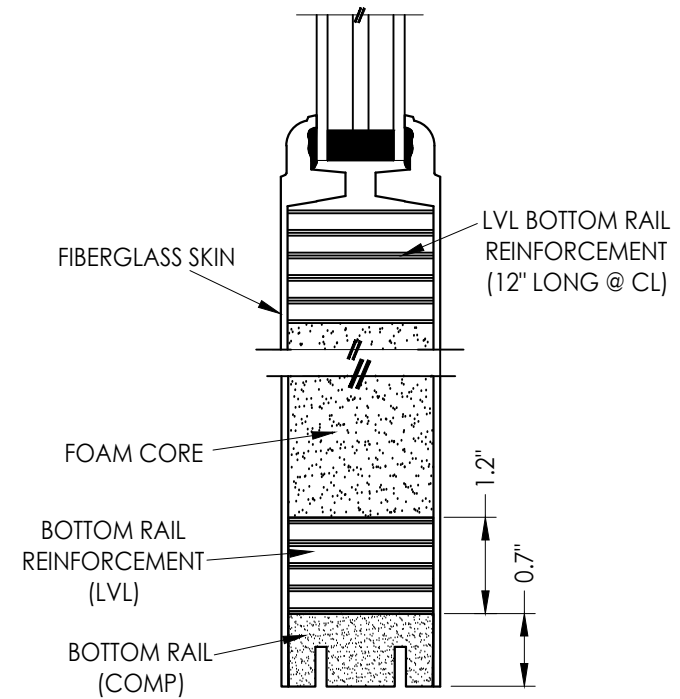
**2**  
**3** **VERTICAL CROSS SECTION**



**41** **FIBERGLASS DOOR PANEL**  
Doorscapes



**G2** **GLAZING DETAIL**  
FLUSH GLAZED (DECO)



FIBERGLASS SKIN: 0.070" MIN. THK.  
FOAM CORE: POLYURETHANE -1.9 PCF MIN.

Documents Prepared By:  
Lyndon F. Schmidt  
P.E. No. 43409

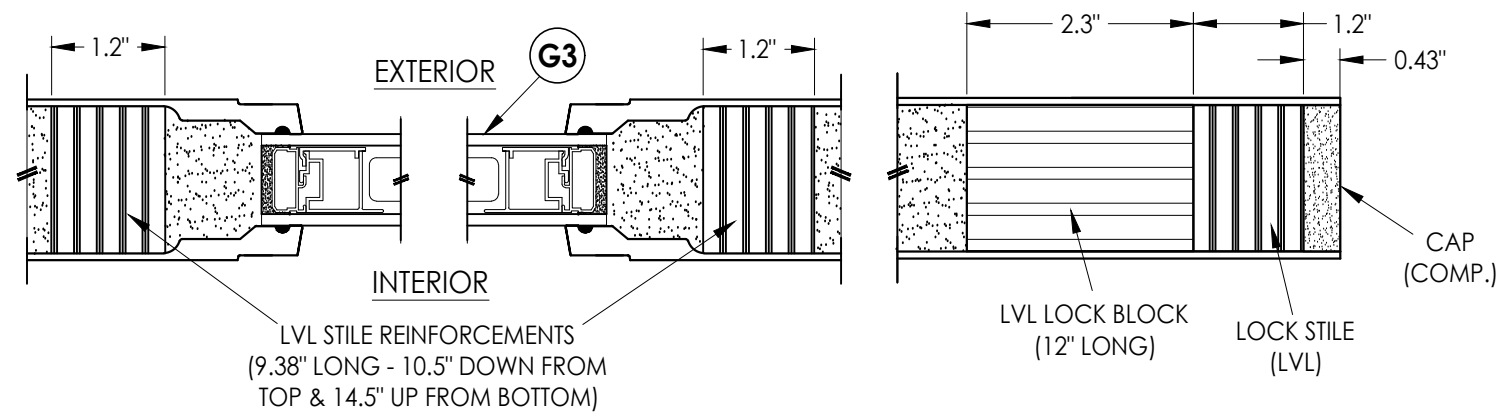
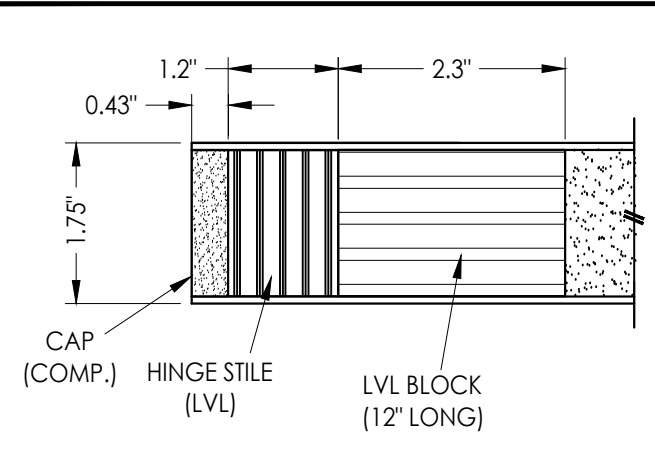
**RW** BUILDING CONSULTANTS, INC.  
P.O. Box 230, Valrico, FL 33595  
Phone No.: 813.659.9197  
FBPE Registry No. 9813

PRODUCT: DOORSCAPES  
FIBERGLASS DOOR

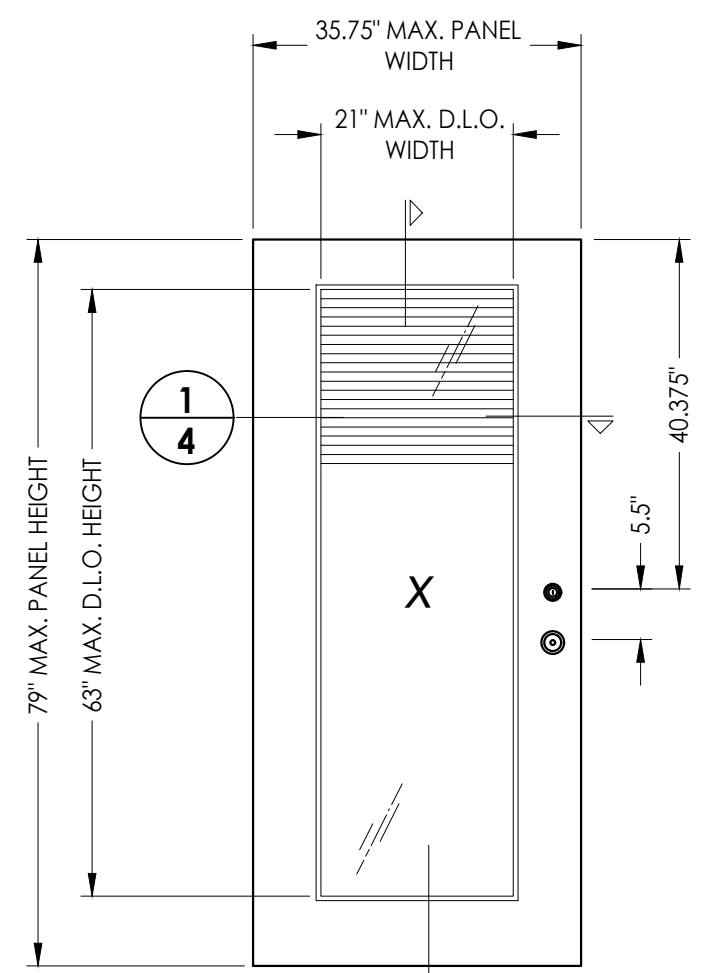
PART OR ASSEMBLY:  
DOOR PANEL DETAILS &  
GLAZING DETAILS

NO.	DATE	BY	REVISIONS

DATE: 2/22/24  
SCALE: N.T.S.  
DWG. BY: LFS  
CHK. BY: RW  
DRAWING NO.: FL-46553.3  
SHEET 3 of 11

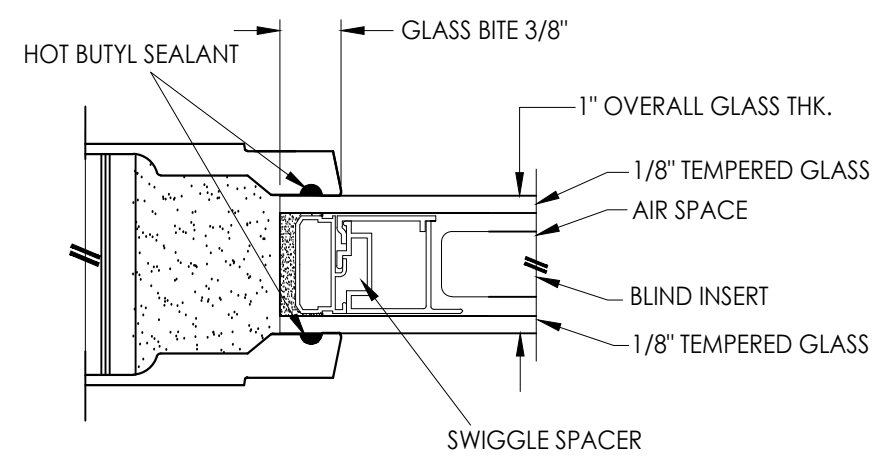


**1**  
**4** **HORIZONTAL CROSS SECTION**

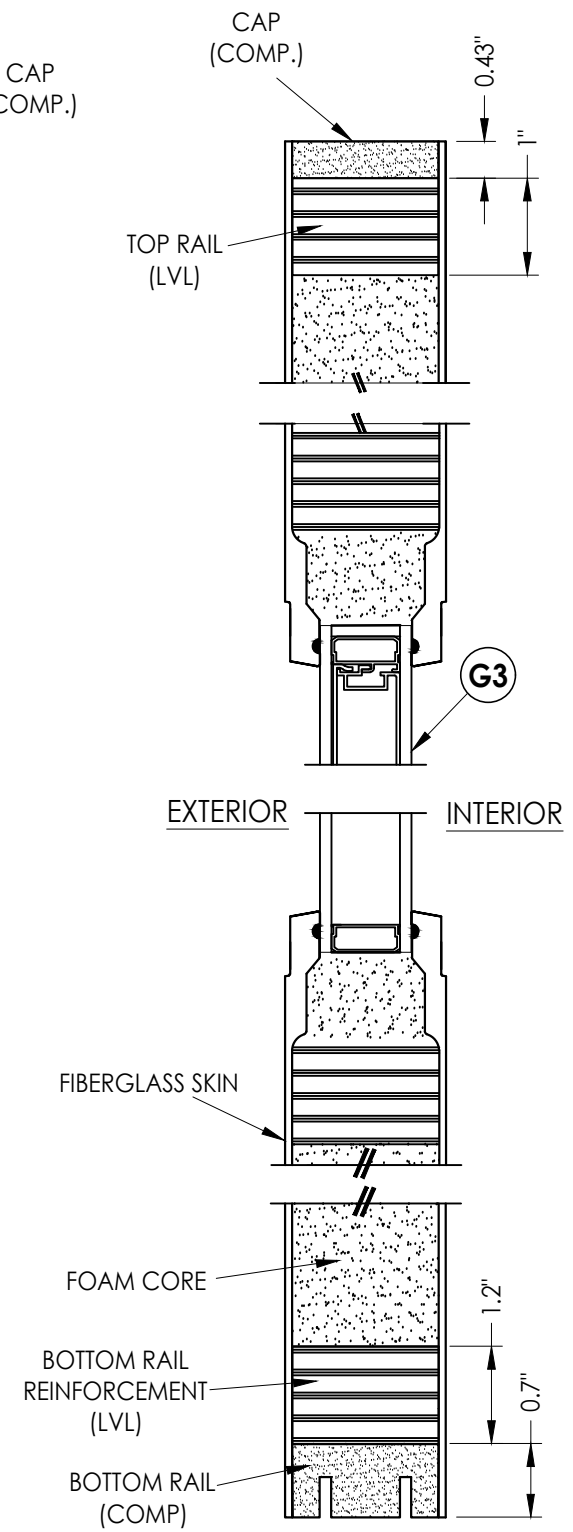


**42** **FIBERGLASS DOOR PANEL**  
Doorscapes

FIBERGLASS SKIN: 0.070" MIN. THK.  
FOAM CORE: POLYURETHANE -1.9 PCF MIN.



**G3** **GLAZING DETAIL**  
FLUSH GLAZED (BLINDS BETWEEN GLASS)



**2**  
**4** **VERTICAL CROSS SECTION**

Documents Prepared By:  
Lyndon F. Schmidt  
P.E. No. 43409

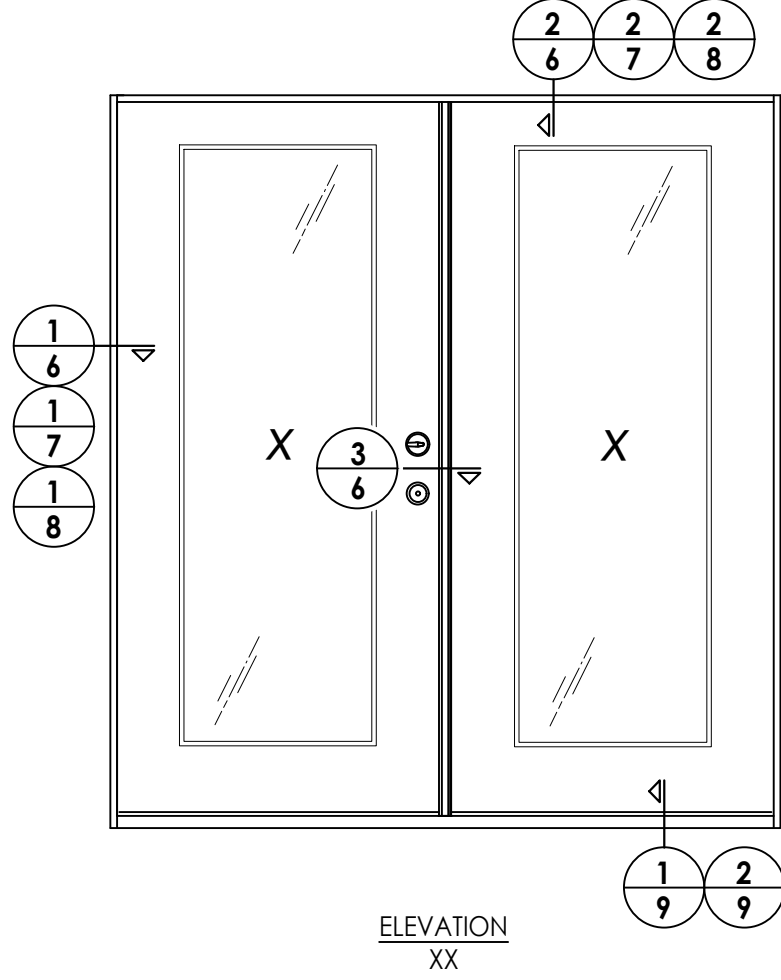
**RW** BUILDING CONSULTANTS, INC.  
P.O. Box 230, Valrico, FL 33595  
Phone No.: 813.659.9197  
FBPE Registry No. 9813

PRODUCT: DOORSCAPES  
FIBERGLASS DOOR

PART OR ASSEMBLY:  
DOOR PANEL DETAILS &  
GLAZING DETAILS

NO.	DATE	BY

DATE: 2/22/24  
SCALE: N.T.S.  
DWG. BY: LFS  
CHK. BY: RW  
DRAWING NO.: FL-46553.3  
SHEET 4 OF 11




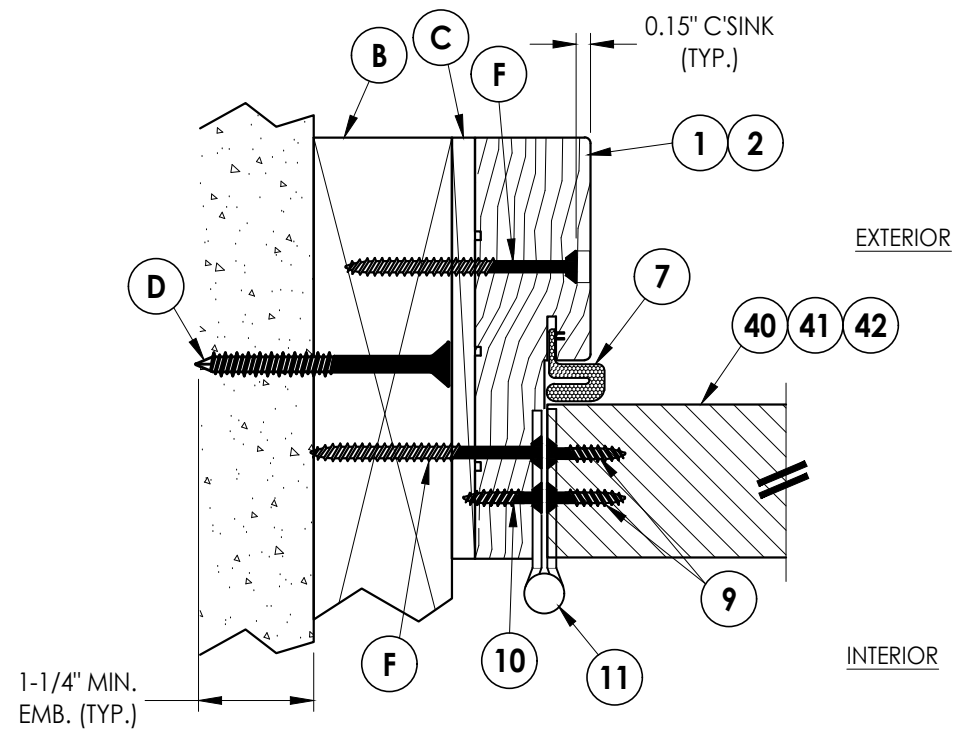
HARDWARE TABLE		
MANUFACTURER	MODEL	
KWIKSET	KNOB:	SIGNATURE SERIES
	DEADBOLT:	SIGNATURE SERIES (980)
SCHLAGE	KNOB:	F51
	DEADBOLT:	B60

DATE: 2/22/24  
 SCALE: N.T.S.  
 DWG. BY: LFS  
 CHK. BY: RW  
 DRAWING NO.: FL-46553.3  
 SHEET 5 OF 11

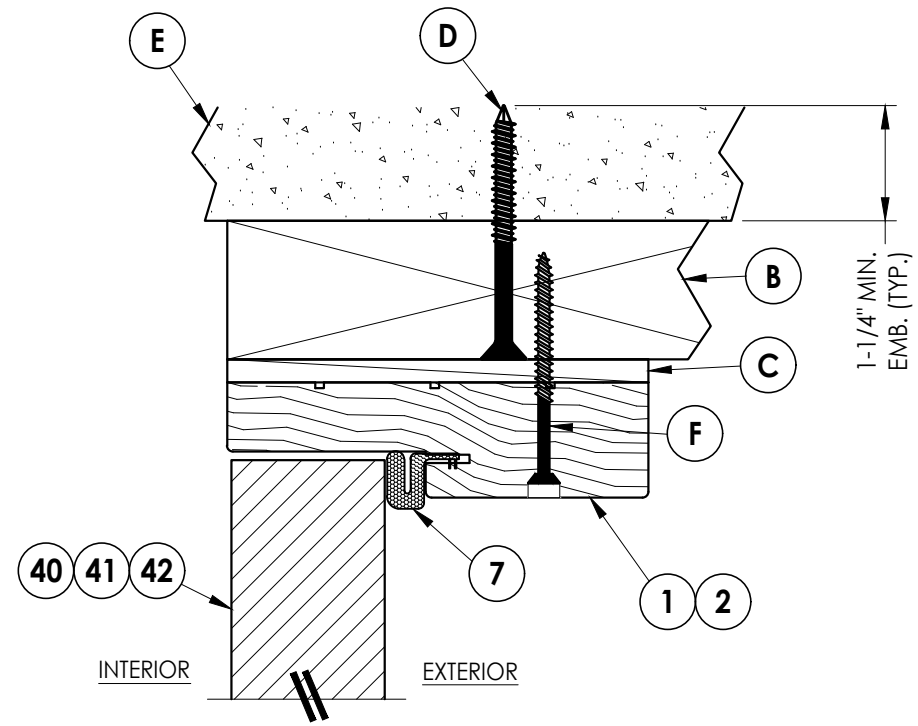
NO.	DATE	BY	REVISIONS

PRODUCT: DOORSCAPES FIBERGLASS DOOR  
 PART OR ASSEMBLY: ELEVATION

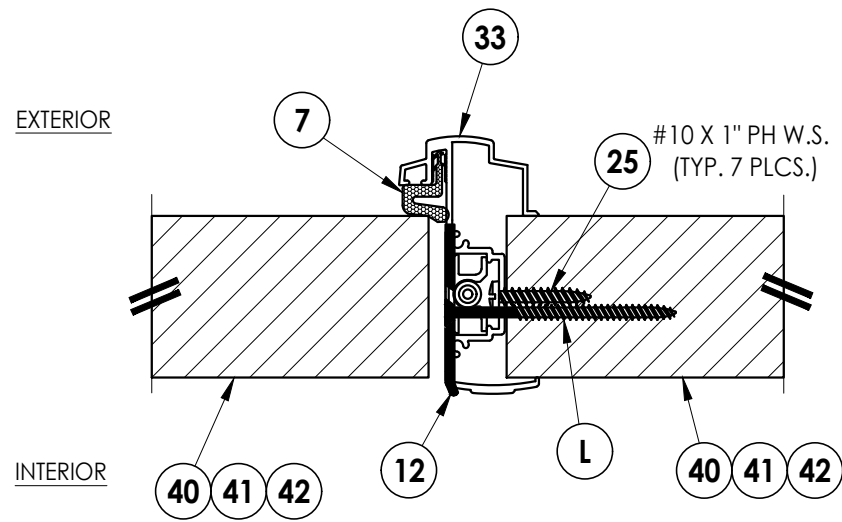
Documents Prepared By:  
 Lyndon F. Schmidt  
 P.E. No. 43409  
  
 BUILDING CONSULTANTS, INC.  
 P.O. Box 230, Valrico, FL 33595  
 Phone No.: 813.659.9197  
 FBPE Registry No. 9813



**1** **HORIZONTAL CROSS SECTION**  
**6** Inswing Shown (Outswing Similar)  
 2X Buck Construction



**2** **VERTICAL CROSS SECTION**  
**6** Inswing Shown (Outswing Similar)  
 2X Buck Construction



**3** **VERTICAL CROSS SECTION**  
**6** Inswing Shown (Outswing Similar)

Documents Prepared By:  
 Lyndon F. Schmidt  
 P.E. No. 43409

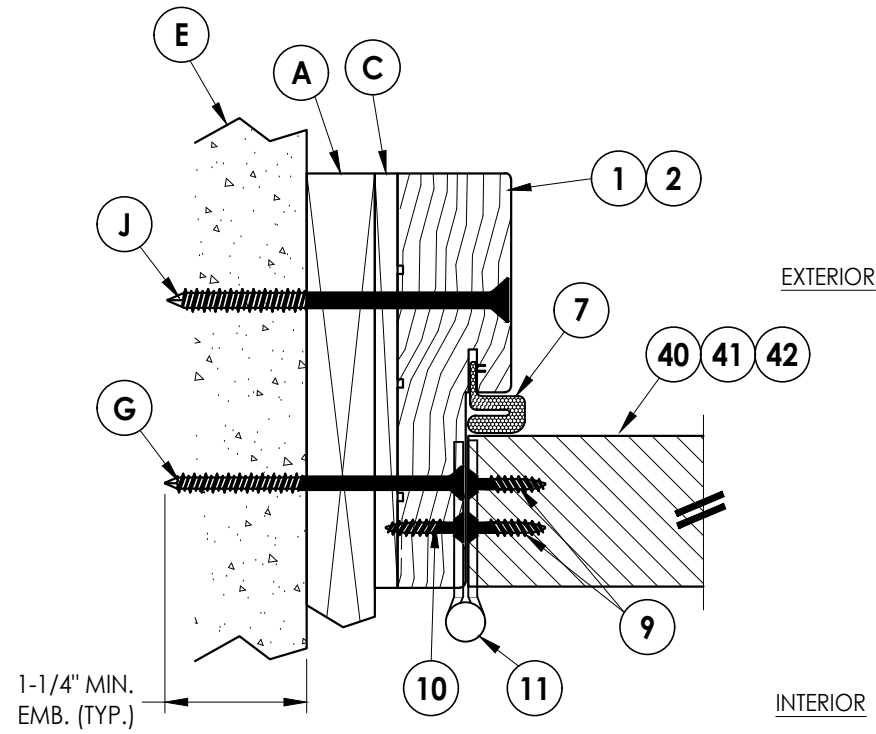
**RW** BUILDING CONSULTANTS, INC.  
 P.O. Box 230, Valrico, FL 33595  
 Phone No.: 813.659.9197  
 FBPE Registry No. 9813

PRODUCT: DOORSCAPES  
 FIBERGLASS DOOR

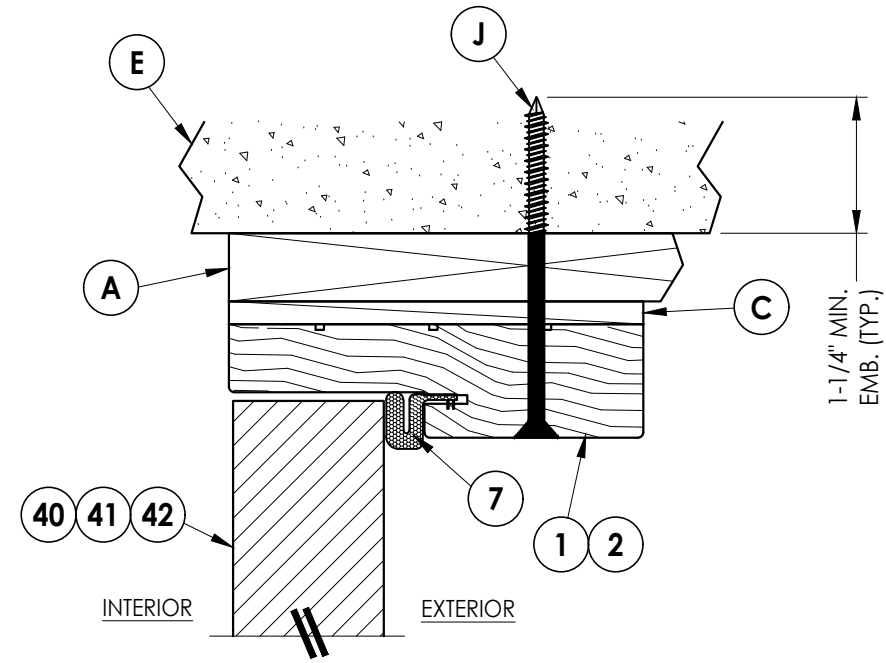
PART OR ASSEMBLY:  
 HORIZONTAL & VERTICAL  
 CROSS SECTIONS (2X BUCK)

NO.	DATE	BY

DATE: 2/22/24  
 SCALE: N.T.S.  
 DWG. BY: LFS  
 CHK. BY: RW  
 DRAWING NO.: FL-46553.3  
 SHEET 6 OF 11



**1 HORIZONTAL CROSS SECTION**  
**7** Inswing Shown (Outswing Similar)  
 1X Buck Construction



**2 VERTICAL CROSS SECTION**  
**7** Inswing Shown (Outswing Similar)  
 1X Buck Construction

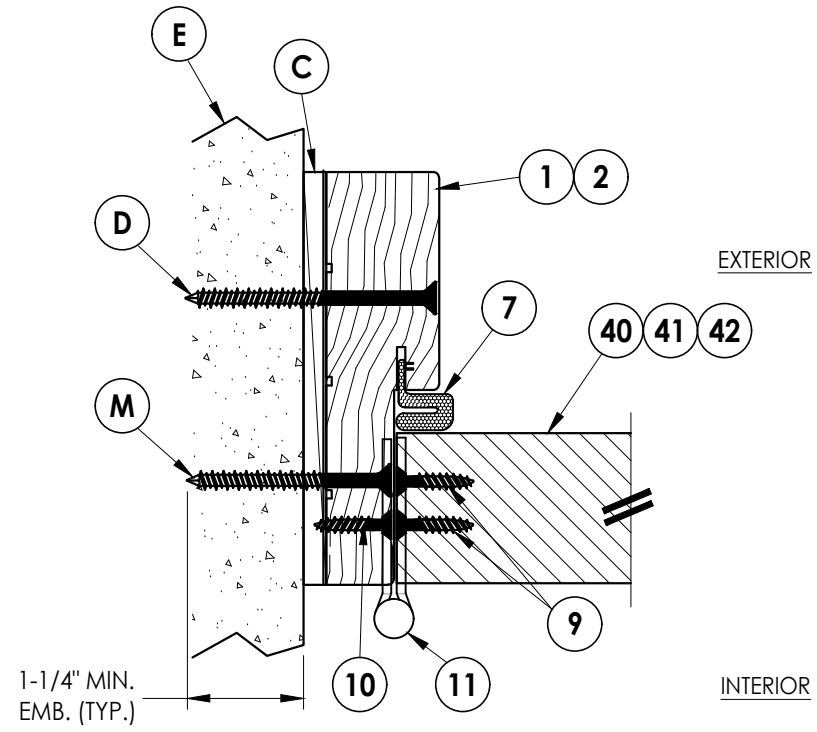
Documents Prepared By:  
 Lyndon F. Schmidt  
 P.E. No. 43409

**RW** BUILDING CONSULTANTS, INC.  
 P.O. Box 230, Valrico, FL 33595  
 Phone No.: 813.659.9197  
 FBPE Registry No. 9813

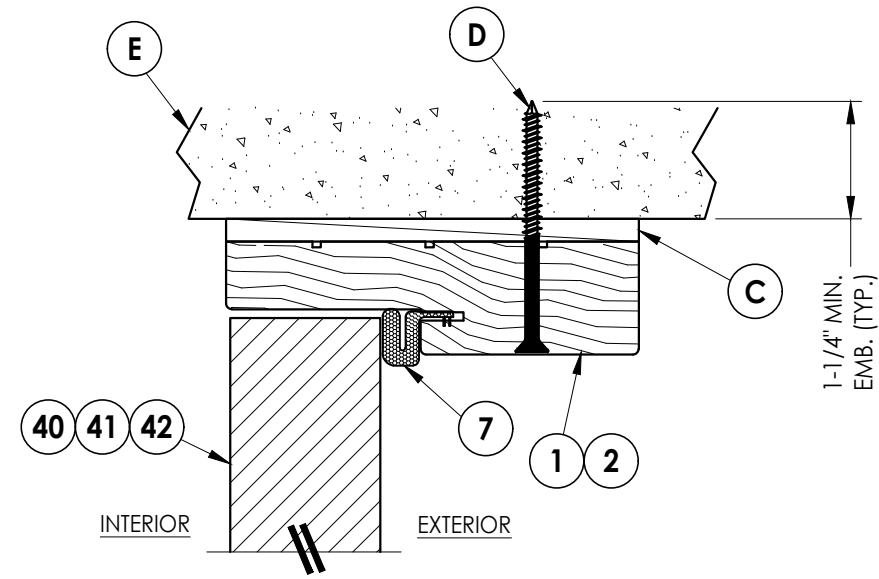
PRODUCT: DOORSCAPES  
 FIBERGLASS DOOR  
 PART OR ASSEMBLY:  
 HORIZONTAL & VERTICAL  
 CROSS SECTIONS (1X BUCK)

NO.	DATE	BY	REVISIONS

DATE: 2/22/24  
 SCALE: N.T.S.  
 DWG. BY: LFS  
 CHK. BY: RW  
 DRAWING NO.:  
 FL-46553.3  
 SHEET 7 OF 11



**1** **HORIZONTAL CROSS SECTION**  
**8** Inswing Shown (Outswing Similar)  
 Shown Direct to Masonry



**2** **VERTICAL CROSS SECTION**  
**8** Inswing Shown (Outswing Similar)  
 Shown Direct to Masonry

DATE:	2/22/24
SCALE:	N.T.S.
DWG. BY:	LFS
CHK. BY:	RW
DRAWING NO.:	FL-46553.3
SHEET	8 of 11

NO.	DATE	BY	REVISIONS

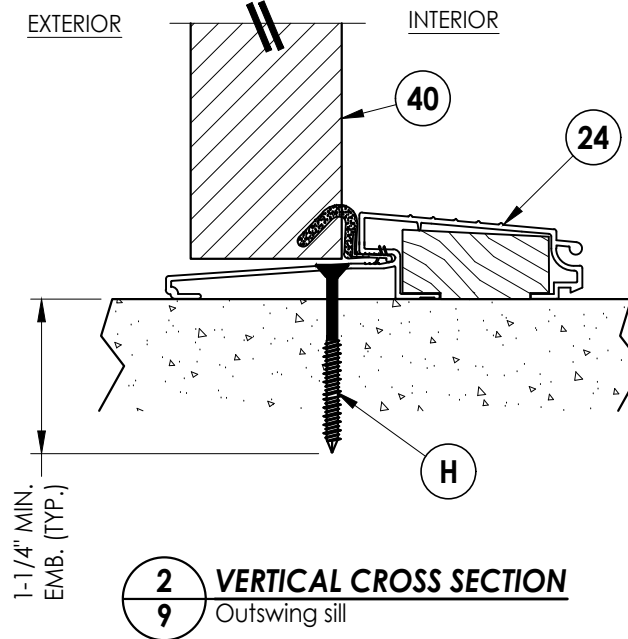
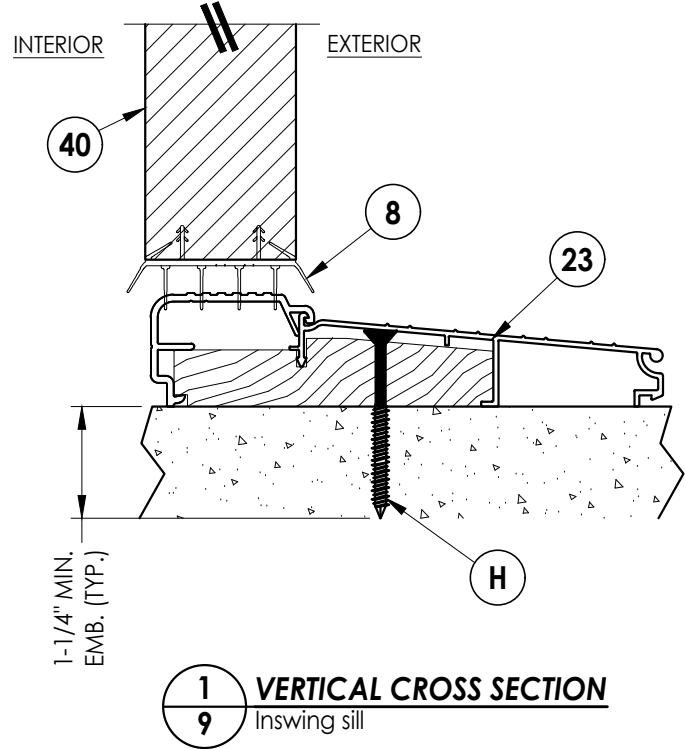
PRODUCT: DOORSCAPES  
 FIBERGLASS DOOR

PART OR ASSEMBLY:  
 HORIZONTAL & VERTICAL CROSS  
 SECTIONS (DIRECT TO MASONRY)

Documents Prepared By:  
 Lyndon F. Schmidt  
 P.E. No. 43409

**RW** BUILDING CONSULTANTS, INC.  
 P.O. Box 230, Valrico, FL 33595  
 Phone No.: 813.659.9197  
 FBPE Registry No. 9813





DATE:	2/22/24
SCALE:	N.T.S.
DWG. BY:	LFS
CHK. BY:	RW
DRAWING NO.:	FL-46553.3
SHEET	9 OF 11

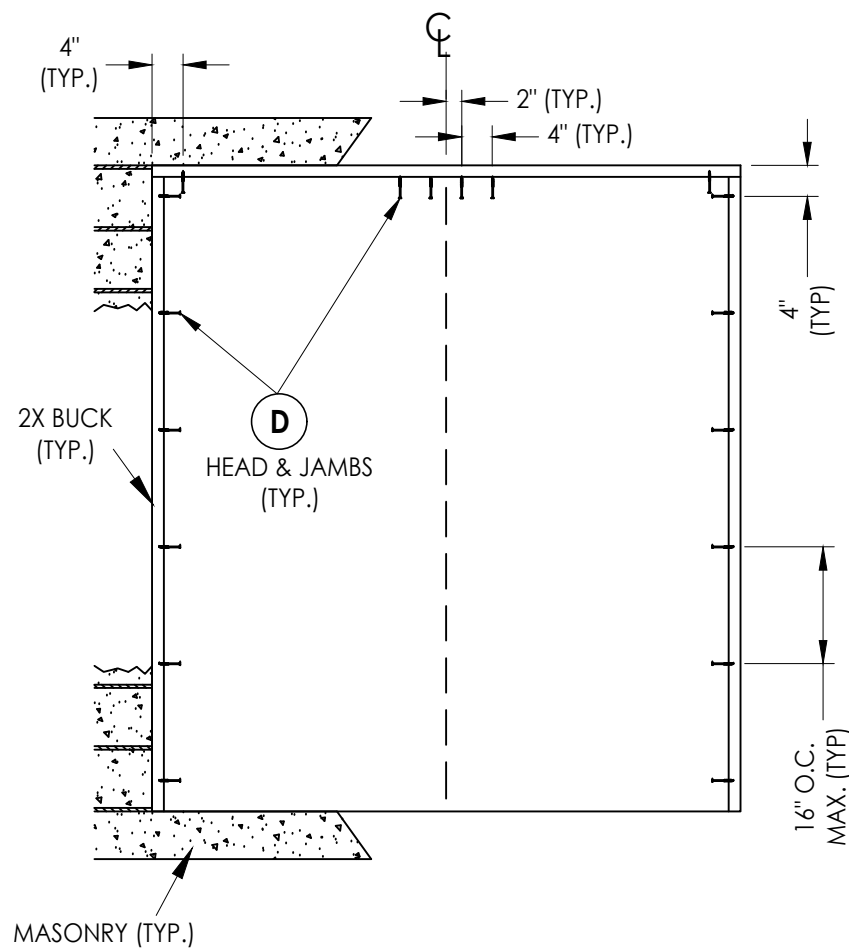
REVISIONS	
NO.	DATE
	BY

PRODUCT:	DOORSCAPES FIBERGLASS DOOR
PART OR ASSEMBLY:	VERTICAL CROSS SECTIONS

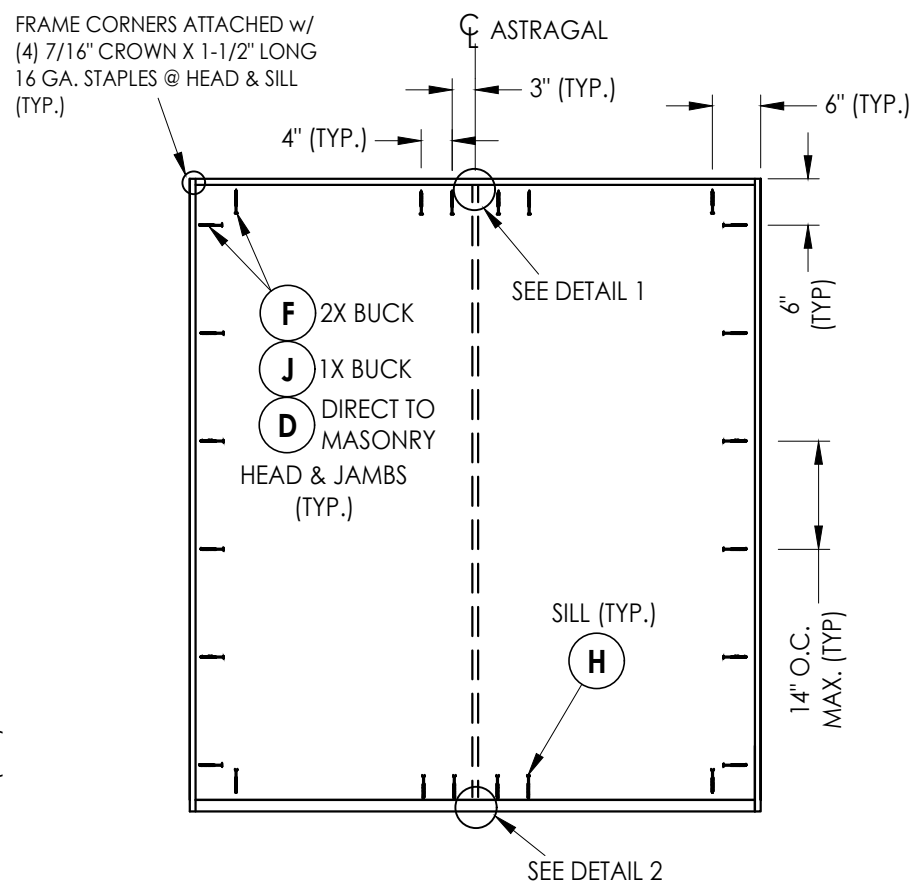
Documents Prepared By:  
Lyndon F. Schmidt  
P.E. No. 43409

*RW* BUILDING CONSULTANTS, INC.  
P.O. Box 230, Vairico, FL 33595  
Phone No.: 813.659.9197  
FBPE Registry No. 9813

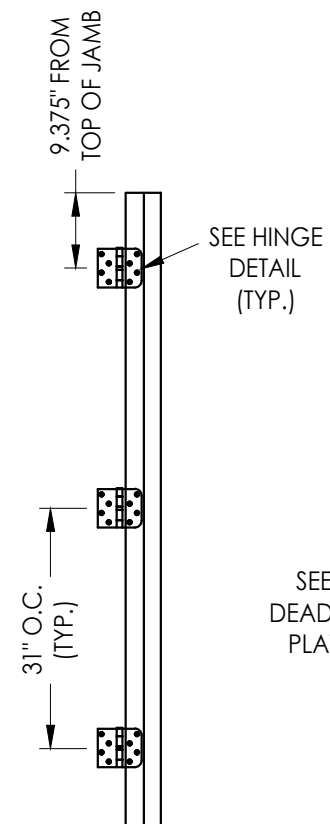
Z:\2023 FBC Drawings\DoorScapes, Inc\FL-46553 FG Flush Glased Door\FL46553.3.dwg



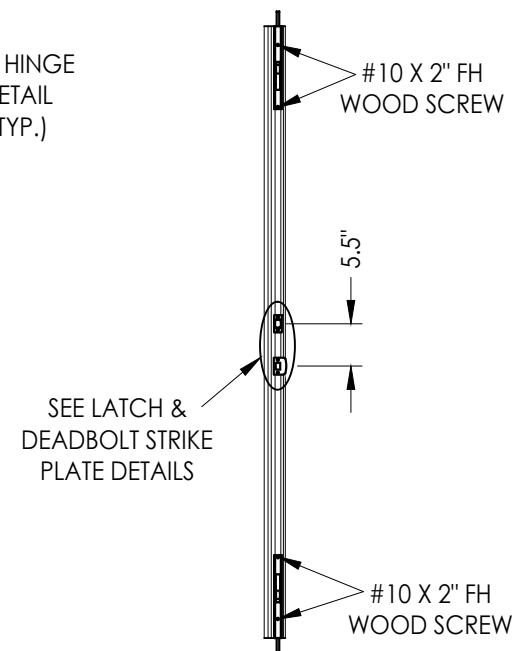
**XX**  
**2X BUCK ANCHORING**



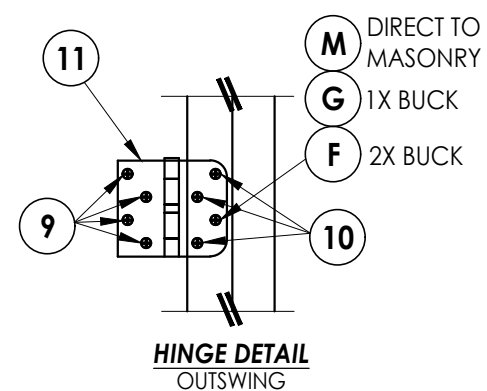
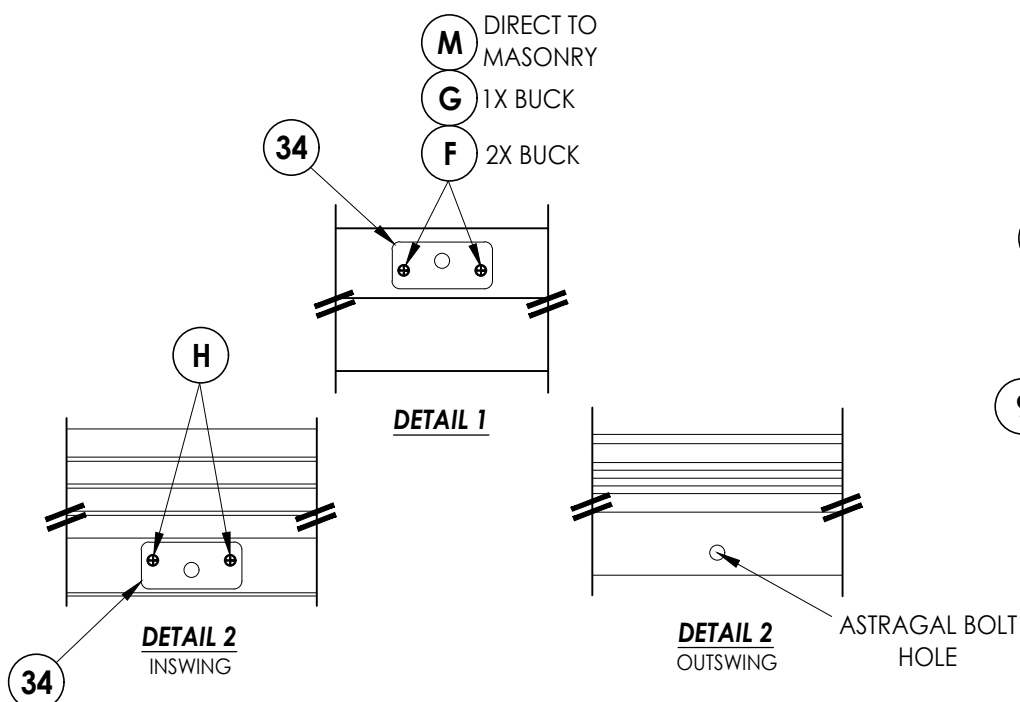
**XX**  
**FRAME ANCHORING**



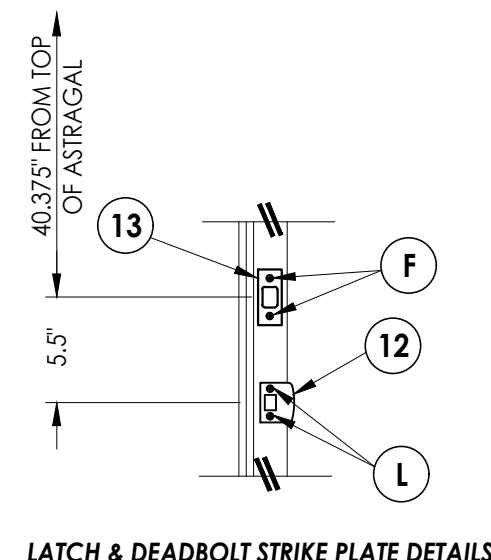
**HINGE JAMB**



**ASTRAGAL**



**HARDWARE DETAILS**



**LATCH & DEADBOLT STRIKE PLATE DETAILS**

Documents Prepared By:  
Lyndon F. Schmidt  
P.E. No. 43409

**RW**  
BUILDING CONSULTANTS, INC.  
P.O. Box 230, Valrico, FL 33595  
Phone No.: 813.659.9197  
FBPE Registry No. 9813

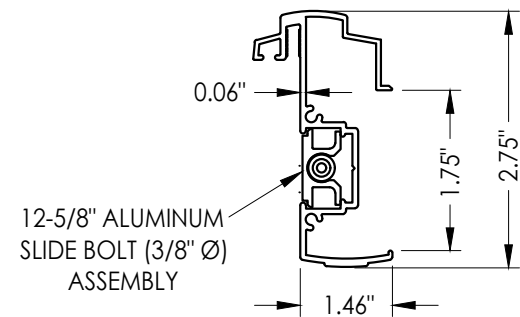
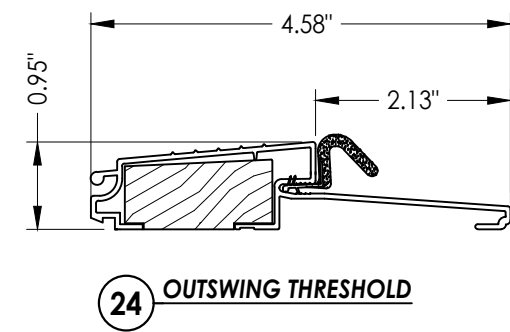
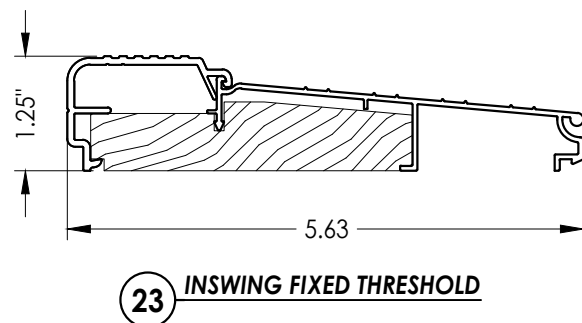
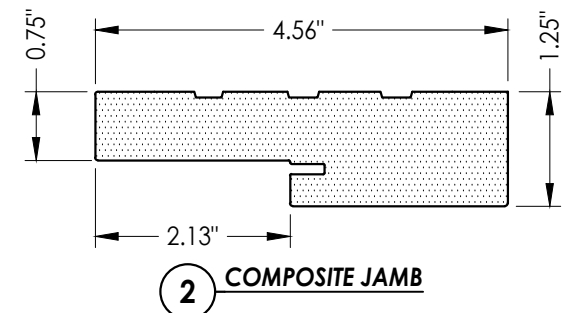
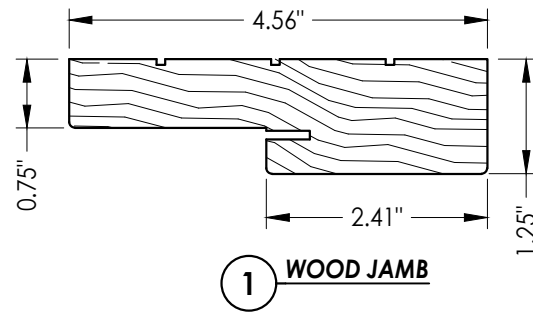
PRODUCT:	DOORSCAPES FIBERGLASS DOOR
PART OR ASSEMBLY:	BUCK & FRAME ANCHORING & HARDWARE DETAILS

NO.	DATE	BY	REVISIONS

DATE:	2/22/24
SCALE:	N.T.S.
DWG. BY:	LFS
CHK. BY:	RW
DRAWING NO.:	FL-46553.3
SHEET	10 OF 11

**BILL OF MATERIALS**

ITEM #	DESCRIPTION	MATERIAL
A	1X BUCK (G >= 0.42)	WOOD
B	2X BUCK (G >= 0.42)	WOOD
C	1/4" MAX. SHIM SPACE	-
D	1/4" X 2-3/4" PFH DeWALT OR ITW CONCRETE SCREW	STEEL
E	MASONRY - 3,000 PSI MIN. CONCRETE CONFORMING TO ACI 301 OR HOLLOW BLOCK CONFORMING TO ASTM C90	CONCRETE
F	#10 X 2-1/2" PFH WOOD SCREW (1.15" MIN. EMBEDMENT)	STEEL
G	3/16" X 3-1/4" PFH ITW CONCRETE SCREW	STEEL
H	1/4" X 2-1/4" PFH DeWALT OR ITW CONCRETE SCREW	STEEL
J	1/4" X 3-3/4" PFH DeWALT OR ITW CONCRETE SCREW	STEEL
L	#8 X 2-1/2" PFH WOOD SCREW	STEEL
M	3/16" X 2-1/4" PFH ITW CONCRETE SCREW	STEEL
1	FINGER JOINT PINE JAMB (G >= 0.42)	WOOD
2	COMPOSITE JAMB	COMP
7	WEATHERSTRIP	FOAM
8	DOOR BOTTOM SWEEP	VINYL
9	#9 X 1" PFH WOOD SCREW	STEEL
10	#10 X 3/4" PFH WOOD SCREW	STEEL
11	4" X 4" BUTT HINGE	STEEL
12	LATCH STRIKE PLATE	STEEL
13	DEADBOLT STRIKE PLATE	STEEL
23	INSWING THRESHOLD (AFCO A-280)	ALUM/WOOD
24	OUTSWING THRESHOLD (AFCO A-117)	ALUM/WOOD
25	#10 X 1" PH SMS	STEEL
33	ALUMINUM ASTRAGAL (AFCO)	ALUM
34	ASTRAGAL STRIKE PLATE	STEEL
40	DOOR PANEL - SEE DOOR PANEL DETAIL SHEET FOR DETAILS	-
41	DOOR PANEL - SEE DOOR PANEL DETAIL SHEET FOR DETAILS	-
42	DOOR PANEL - SEE DOOR PANEL DETAIL SHEET FOR DETAILS	-



**33 ALUMINUM HURRICANE 'T' ASTRAGAL**  
AFCO

CONCRETE ANCHOR NOTES:

- Concrete anchor locations at the corners may be adjusted to maintain the min. edge distance to mortar joints.
- Concrete anchor locations noted as "MAX. ON CENTER" must be adjusted to maintain the min. edge distance to mortar joints, additional concrete anchors may be required to ensure the "MAX. ON CENTER" dimension are not exceeded.
- Concrete anchor table:

ANCHOR TYPE	ANCHOR SIZE	MIN. EMBEDMENT	MIN. CLEARANCE TO MASONRY EDGE	MIN. CLEARANCE TO ADJACENT ANCHOR
ITW BUILDEX TAPCON®	3/16"	1-1/4"	3"	1-1/2"
	1/4"	1-1/4"	2"	4"
DeWALT ULTRACON®	1/4"	1-1/4"	1"	4"

WOOD SCREW INSTALLATION NOTES:

- Maintain a minimum 5/8" edge distance, 1" end distance, & 1" o.c. spacing of wood screws to prevent the splitting of wood.

Documents Prepared By:  
Lyndon F. Schmidt  
P.E. No. 43409

**RW**  
BUILDING CONSULTANTS, INC.  
P.O. Box 230, Valrico, FL 33595  
Phone No.: 813.659.9197  
FBPE Registry No. 9813

PRODUCT: DOORSCAPES  
FIBERGLASS DOOR

PART OR ASSEMBLY:  
BILL OF MATERIALS  
& COMPONENTS

NO.	DATE	BY	REVISIONS

DATE: 2/22/24

SCALE: N.T.S.

DWG. BY: LFS

CHK. BY: RW

DRAWING NO.:  
FL-46553.3

SHEET 11 OF 11